

Thank you for using our products.


**INSTALLATION INSTRUCTIONS
PUSH STATION**

Use this product according to this instruction manual. Please keep this instruction manual for future reference.

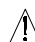
MODEL: SERIES NPS

GENERAL:

Multipurpose Push Stations (NPS) for applications that need Normally Open or Normally Closed contacts. The NPS can be used for manual activation of SAFEPATH and SAFEPATH4 Voice Evacuation Systems prerecorded messages. The NPS can also be used to manually activate a message in the event of an emergency or for alerting.

NOTE: All **CAUTIONS** and **WARNINGS** are identified by the symbol . All warnings are printed in bold capital letters.

NOTE: Push Stations with the suffix code -039 with the wording "Fire" have not been tested to any UL Standard.

 **WARNING: PLEASE READ THESE INSTRUCTIONS CAREFULLY BEFORE USING THIS PRODUCT. FAILURE TO COMPLY WITH ANY OF THE FOLLOWING INSTRUCTIONS, CAUTIONS AND WARNINGS COULD RESULT IN IMPROPER APPLICATION, INSTALLATION AND/OR OPERATION OF THESE PRODUCTS IN AN EMERGENCY SITUATION, WHICH COULD RESULT IN PROPERTY DAMAGE AND SERIOUS INJURY OR DEATH TO YOU AND/OR OTHERS.**

WIRING INFORMATION:

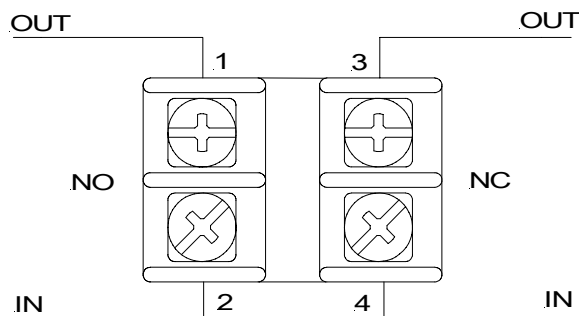


Figure 1: Terminal Block

All terminals accept (2) two #12 to #18 American Wire Gauge (AWG).

250VDC - 1 AMP
600VAC - 3 AMPS

 **WARNING: DO NOT USE THE SERIES NPS PUSH STATIONS IN INSTALLATIONS WHERE TEMPERATURES MAY FALL OUTSIDE OF THE UL LISTED TEMPERATURE [0° C (32° F) TO 49° C (120° F)] RANGE AS DAMAGE TO, OR FAILURE MAY RESULT.**

 **WARNING: FAILURE TO FOLLOW THE INSTALLATION INSTRUCTIONS OR TO SUBSTITUTE ELECTRICAL RIGID CONDUIT FITTINGS THAT DO NOT COMPLY WITH CURRENT PRACTICES ADAPTED BY NEC, NFPA AND ANSI CODES MAY RESULT IN LOSS OF PROTECTION FROM WATER OR DUST.**

 **WARNING: IN ALL AREAS WHERE FREQUENT WASH DOWNS OCCUR, STAND OFF BLOCK MUST BE INSTALLED.**

FEATURES:

- Available in five colors: Red, Green, Yellow, White or Blue
- Custom wording available
- Polycarbonate faceplate
- Stainless steel backplate
- UL 2017 listed switch assembly
- ADA Compliant
- Mounts to single-gang electrical backbox.
- Interchangeable or replaceable Normally Open (NO) and Normally Closed (NC) single pole, single throw gold plated contact blocks rated for 3 amps @ 600 VAC or 1 amp @ 250 VDC.
- Can be reset by depressing the "Push" button, and turning clockwise a 1/4 turn.
- Measurements: 5" H x 3-1/4" W x 1-1/2" D.

MOUNTING INSTRUCTIONS:

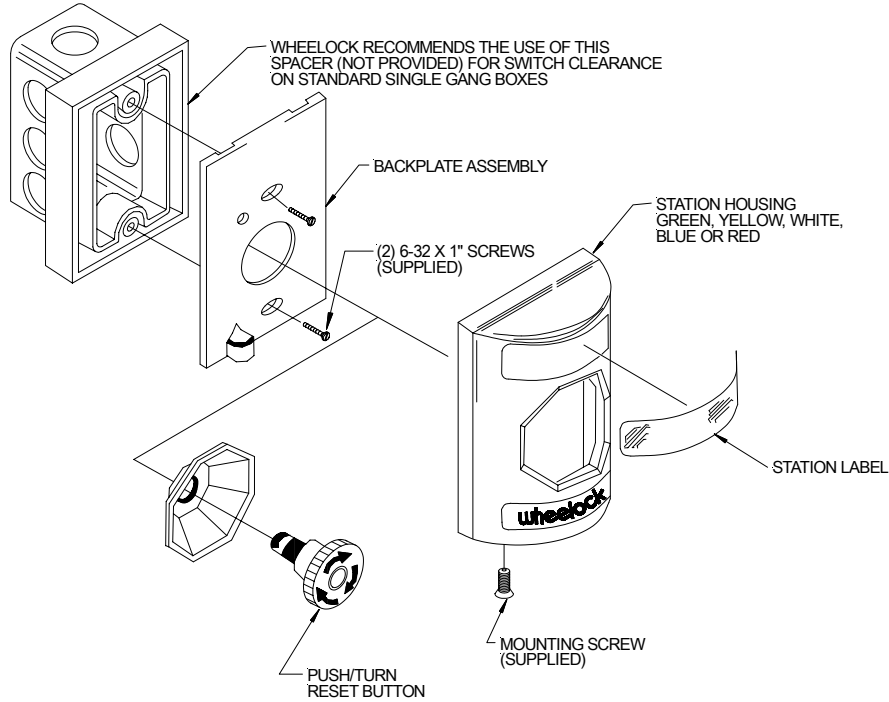


Figure 2: Overview of Assembly

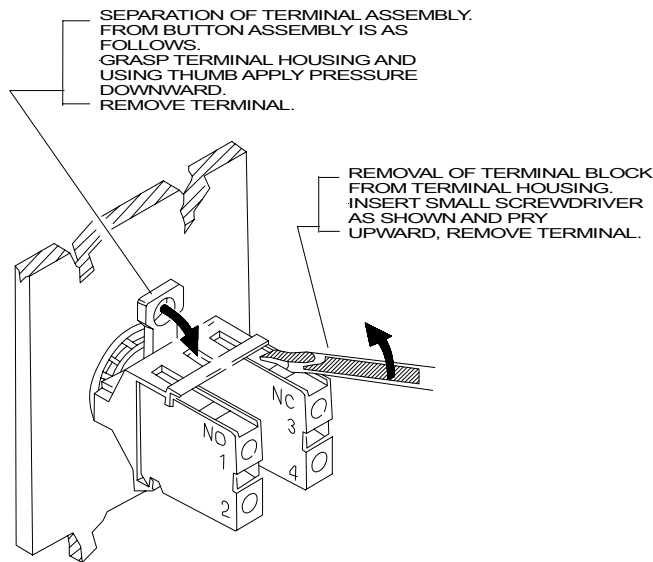


Figure 3: Back view of Push Station

NOTE: To provide adequate clearance for installation, one of the following is recommended: System Tech. Inc. (STI) #102722 Spacer, or Raco #660 W/1/2" K.O. and Raco #653 Extension Ring. Also Raco #696 Masonry Box.

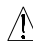
NOTE: Additional Normally Open, NPS-NO (0523) or Normally Closed, NPS-NC (0524) can be purchased separately.

MOUNTING PROCEDURES:

Use this mounting procedure to position the field wires in the backbox so that they use minimum space and produce minimum stress on the product. This is especially important for stiff, heavy gauge wires and wire with thick insulation or sheathing.

1. Strip 1/4" of wire insulation and insert in terminal block, then using a Phillips screwdriver turn screws clockwise until tightened.
2. Remove screw on bottom of Push Station unit with Allen Wrench included in hardware package.
3. Carefully push terminal block into backplate of Push Station until it snaps in securely.
4. Carefully press Push Station into backbox then screw Push Station into backbox using the (2) #6-32 screws provided in hardware package.
5. Reattach Push Station to unit and secure with screw provided using Allen Wrench.

MOUNTING NOTES:

 **CAUTION:** Check that the installed product will have sufficient clearance and wiring room prior to installing backboxes and conduit, especially if sheathed multiconductor cable or 3/4" conduit fittings are used.

1. Conduit entrances to the backbox should be selected to provide sufficient wiring clearance for the installed product.
2. When terminating field wires, do not use more lead length than required. Excess lead length could result in insufficient wiring space for the signaling appliance.
3. Do not pass additional wires (used for other than the signaling appliance) through the backbox. Such additional wires could result in insufficient wiring space for the signaling appliance.

ANY MATERIAL EXTRAPOLATED FROM THIS DOCUMENT OR FROM WHEELOCK MANUALS OR OTHER DOCUMENTS DESCRIBING THE PRODUCT FOR USE IN PROMOTIONAL OR ADVERTISING CLAIMS, OR FOR ANY OTHER USE, INCLUDING DESCRIPTION OF THE PRODUCT'S APPLICATION, OPERATION, INSTALLATION AND TESTING IS USED AT THE SOLE RISK OF THE USER AND WHEELOCK WILL NOT HAVE ANY LIABILITY FOR SUCH USE.

Limited Warranty

Cooper Wheelock, Inc. products must be used within their published specifications and must be PROPERLY specified, applied, installed, operated, maintained, and operationally tested in accordance with these instructions at the time of installation and at least twice a year or more often in accordance with local, state and federal codes, regulations and laws. Specification, application, installation, operation, maintenance, and testing must be performed by qualified personnel for proper operation in accordance with all of the latest National Fire Protection Association (NFPA), Underwriters' Laboratories (UL), Underwriters' Laboratories of Canada (ULC), National Electrical Code (NEC), Occupational Safety and Health Administration (OSHA), local, state, county, province, district, federal and other applicable building and fire standards, guidelines, regulations, laws and codes including, but not limited to, all appendices and amendments and the requirements of the local authority having jurisdiction (AHJ). Cooper Wheelock, Inc. products when properly specified, applied, installed, operated, maintained, and operationally tested as provided above are warranted against mechanical and electrical defects for a period of three years from date of manufacture (as determined by date code). Correction of defects by Cooper Wheelock, Inc providing repairs or a replacement shall be at Cooper Wheelock, Inc.'s sole discretion and shall constitute fulfillment of all warranty obligations. The foregoing limited warranty shall immediately terminate in the event any part not furnished by Cooper Wheelock, Inc. is installed in the product. The foregoing limited warranty specifically excludes any software required for the operation of or included in a product. **COOPER WHEELOCK, INC. MAKES NO REPRESENTATION OR WARRANTY OF ANY OTHER KIND, EXPRESS, IMPLIED OR STATUTORY WHETHER AS TO MERCHANTABILITY, FITNESS FOR A PARTICULAR PURPOSE OR ANY OTHER MATTER.**

Users are solely responsible for determining whether a product is suitable for the user's purposes, or whether it will achieve the user's intended results. There is no warranty against damage resulting from misapplication, improper specification, abuse, accident, or other operating conditions beyond Cooper Wheelock, Inc.'s control.

Some Cooper Wheelock, Inc. products contain software. With respect to those products, Cooper Wheelock, Inc. does not warranty that the operation of the software will be uninterrupted or error-free or that the software will meet any other standard of performance, or that the functions or performance of the software will meet the user's requirements. Cooper Wheelock, Inc. shall not be liable for any delays, breakdowns, interruptions, loss, destruction, alteration, or other problems in the use of a product arising out of or caused by the software.

The liability of Cooper Wheelock, Inc. arising out of the supplying of a product, or its use, whether based on warranty, negligence, or otherwise, shall not in any case exceed the cost of correcting defects as stated in the limited warranty and upon expiration of the warranty period all such liability shall terminate. Cooper Wheelock, Inc. is not liable for labor costs incurred in removal, reinstallation, or for damage of any type whatsoever, including but not limited to, loss of profit or incidental or consequential damages. The foregoing shall constitute the sole remedy of the purchaser and the exclusive liability of Cooper Wheelock, Inc.

In no case will Cooper Wheelock, Inc.'s liability exceed the purchase price paid for a product.

Limitation of Liability

Cooper Wheelock, Inc.'s liability on any claim of any kind, including negligence, breach of warranty, or otherwise, for any loss or damage resulting from, arising out of, or connected with any contract, or from the manufacture, sale, delivery, resale, repair or use of any product shall be limited to the price applicable to the product or part thereof which gives rise to the claim. Cooper Wheelock, Inc.'s liability on any claim of any kind shall cease immediately upon the installation in the product of any part not furnished by Cooper Wheelock, Inc. In no event shall Cooper Wheelock, Inc. be liable for any claim of any kind unless it is proven that our product was a direct cause of such claim. **FURTHER, IN NO EVENT, INCLUDING IN THE CASE OF A CLAIM OF NEGLIGENCE, SHALL COOPER WHEELOCK, INC. BE LIABLE FOR INCIDENTAL, INDIRECT, SPECIAL OR CONSEQUENTIAL DAMAGES.** Some states do not allow the exclusion or limitation of incidental or consequential damages, so the preceding limitation may not apply to all purchasers.