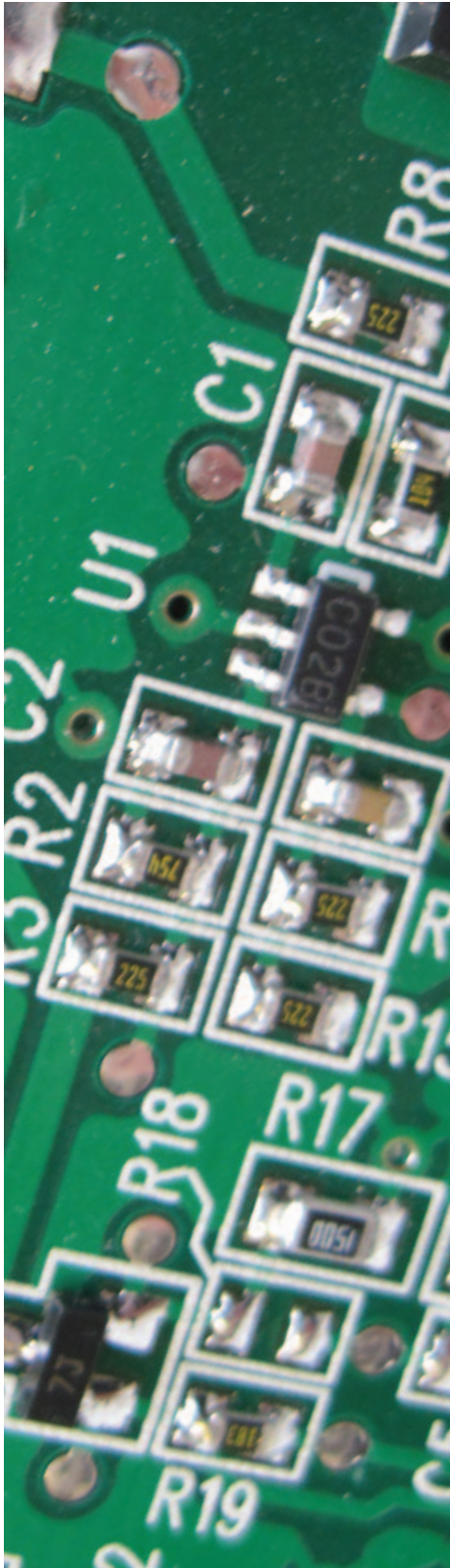


Spur Isolator Unit



CSI350 - Spur Isolator Unit

Overview

An extensive range of interfaces are available to support the Cooper range of control panels, providing solutions for most design requirements.

The spur isolator unit (CSI350) enables a spur of intelligent addressable devices to be connected to a main analogue loop, the device is designed to simplify installation of remote parts of buildings or for simple system extensions.

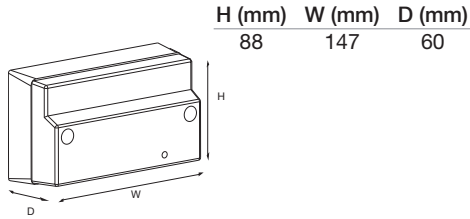
Features

- Soft addressed
- Integral short circuit isolator
- Single address
- Allows a spur of intelligent addressable devices to be connected to the main loop for the loop and the spur
- Automatically controls addressing sequence

Benefits

- Quick and simple to install
- No hard addressing required (Plug and play)
- Easy to expand a system using existing wiring
- Reduced installation cost

Dimensions



H (mm) W (mm) D (mm)
88 147 60

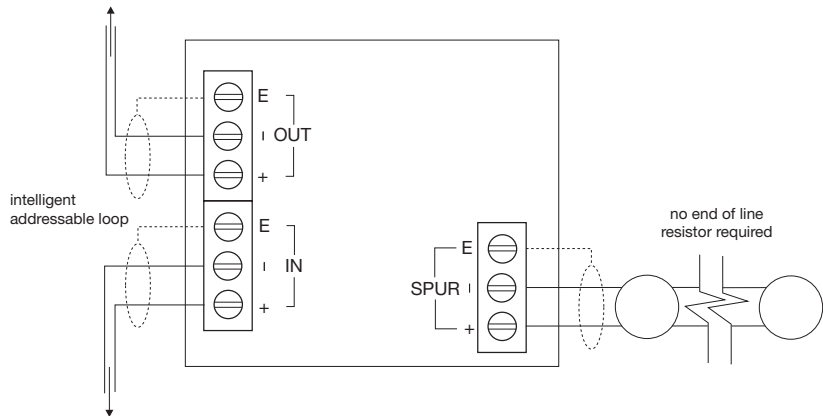
Technical Specification

Code	CSI350
Description	Spur Isolator Unit
Standards	EN54 Pt17 2005
Specification	
Quiescent Current	170µA
Environmental	
Operating Temperature	-10°C to +60°C
Humidity (non condensing)	0 to 95% RH
Physical	
Construction	PC/ABS
Dimensions (H x W x D)	88mm x 147mm x 60mm
Weight	0.23kg
Ingress Protection	IP40
Compatibility	
Suitable for use with	Cooper Intelligent Addressable Fire Systems

Installation

1. Please refer to current edition of BS5839-1 for details of the maximum allowable area to be covered by a single zone.
2. Spur isolator unit is fixed to a deep double gang back box (supplied).
3. All connections are via heavy duty terminals.
4. Cable entry can be top, bottom, side or rear.
5. Can be surface or semi recessed mounted.

Standard Connections



NOTES:

1. Earth (Screen) cable must be connected to its adjacent earth terminal.
2. For maximum spur length/load see BS5839 Pt1:2002.
3. Unit can only be used with its respective Cooper fire systems and compatible sensor and base.

Product Codes

Code	Description
CSI350	Spur Isolator Unit

Descriptions represent only particulars of the goods to which they apply and do not form part of any contract. The company reserves the right to change specification without prior notification or public announcement.