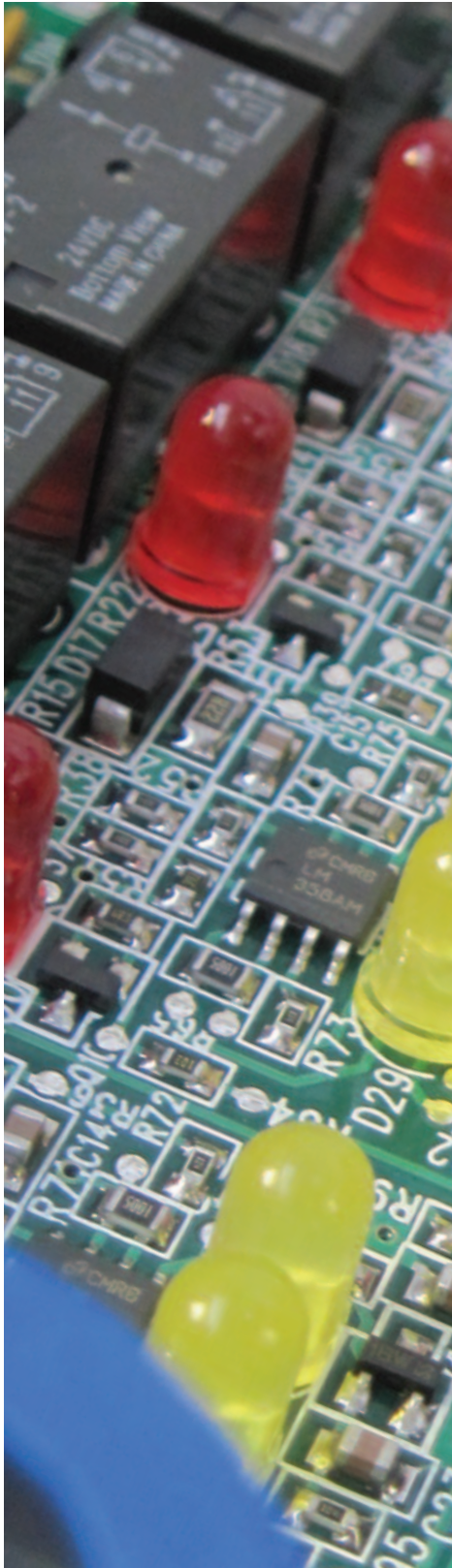


4 Way Sounder Controller Unit



CSC354 - 4 Way Sounder Controller Unit

Overview

An extensive range of interfaces are available to support the Cooper range of control panels, providing solutions for most design requirements.

The 4 way sounder controller unit (CSC354) is a loop connected interface, which provides the facility to power and control 4 independent conventional sounder circuits. This greatly simplifies installation in applications where specialist sounders or beacons are required by avoiding the need to connect them directly to the intelligent addressable control panel.

This unit only uses a single address yet each circuit can be independently controlled according to the required cause and effect programming.

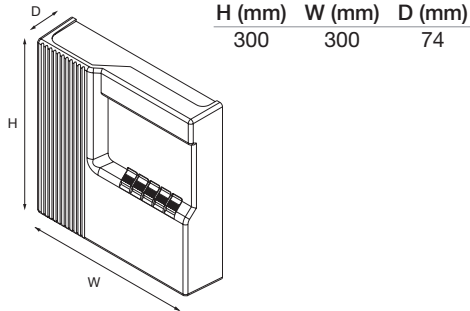
Features

- Soft addressed
- Integral short circuit isolator
- Single address
- 4 Separate sounder circuit outputs (total 1.6A max)
- Avoids the need to wire conventional sounders back to the control panel
- Outputs are independently programmable
- Integral battery and power supply

Benefits

- Quick and simple to install
- No hard addressing required (Plug and play)
- Increased system integrity
- Beacons and strobes can be wired direct to the interface (saving on both time and installation)

Dimensions



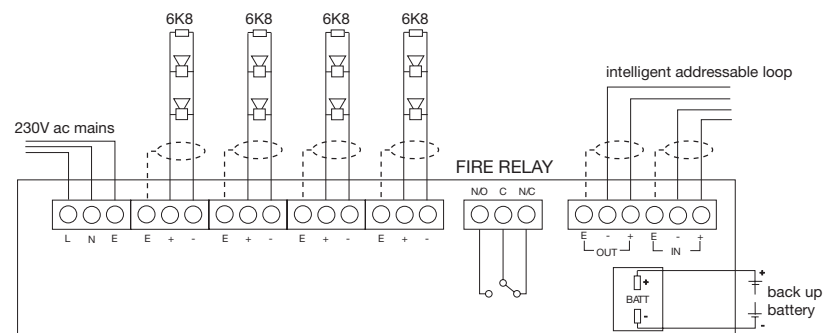
Technical Specification

Code	CSC354
Description	4 Way Sounder Controller Unit
Standards	EN54 Pt4 & Pt17 2005
Specification	
Operating Voltage	24V dc
Quiescent Current	250µA
Mains Supply Voltage	230V ac
Mains Current Consumption	0.4A
Battery	2 x 12 V, 4Ah, SLA
Standby Period	24 hours + 30 minutes ringing
Sounder Circuit Output	0.4A (max)
Sounder Load	1.6A (max)
Fire Relay Switching Voltage	30V dc
Switching Current	1A (resistive), 0.5A (inductive) (max)
Environmental	
Operating Temperature	-10°C to +45°C
Humidity (non condensing)	0 to 95% RH
Physical	
Construction	ABS/Steel
Dimensions (H x W x D)	300mm x 300mm x 74mm
Weight	5.4kg
Ingress Protection	IP30
Compatibility	
Suitable for use with	Cooper Intelligent Addressable Fire Systems

Installation

1. The sounder controller interface requires a local unswitched 230V supply and incorporates a back up battery to maintain functionality under mains failure conditions.
2. Cable entry can be top or rear.
3. Top entry is via 20mm conduit entries (pre-fitted with blanking plugs for unused entries).
4. Rear entry via substantial cable slot in metal back plate
5. Top cover secured with tamper resistant screws

Standard Connections



NOTES:

1. Earth (Screen) cable must be connected to its adjacent earth terminal.
2. The end of line resistor must always be fitted, even if input is not used.
3. Sounder circuits are monitored for wiring open and short circuit.
4. Output fire relay is a set of changeover volt free-contacts and is not monitored.
5. This unit should only be finally connected to the 230V ac mains supply and battery, during system commissioning.

Product Codes

Code	Description
CSC354	4 Way Sounder Controller Unit

Descriptions represent only particulars of the goods to which they apply and do not form part of any contract. The company reserves the right to change specification without prior notification or public announcement.