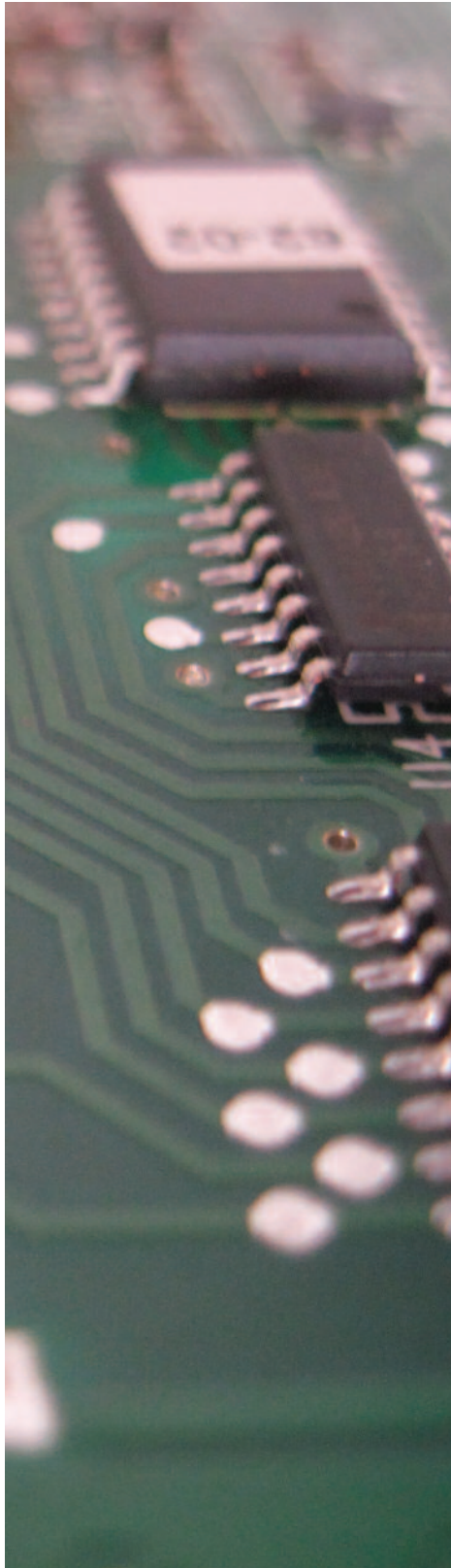


3 Channel I/O Unit



CIO351 - 3 Channel I/O Unit

Overview

An extensive range of interfaces are available to support the Cooper range of control panels, providing solutions for most design requirements.

The 3 channel I/O unit (CIO351) enables simple interfacing between the fire system and other equipment such as nurse call systems or access control systems. The inputs are fully monitored for open and short circuits.

Two models of the 3 channel I/O unit are available:

- CIO351 - resets on reset
- CIO351S - resets on silence alarms

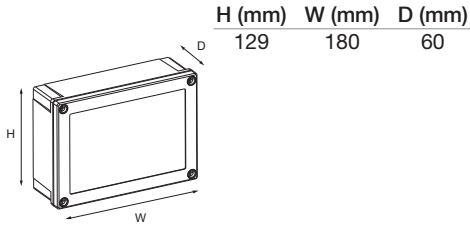
Features

- Soft addressed
- Integral short circuit isolator
- 3 separate inputs and 3 separate outputs
- Inputs monitored for open and short circuits

Benefits

- Quick and simple to install
- No hard addressing required (Plug and play)
- Unit takes 3 inputs, and 3 outputs
 - Only 1 address required to monitor and control saving on equipment and installation (main unit)

Dimensions



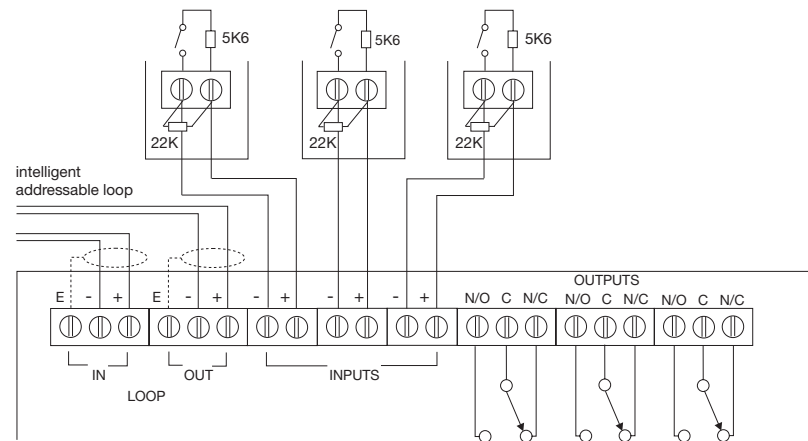
Technical Specification

Code	CIO351 / CIO351S
Description	3 Channel I/O Unit
Standards	EN54 Pt17 & Pt18 2005
Specification	
Operating Voltage	18V dc to 30V dc
Quiescent Current	310µA
Maximum Switching Voltage	50V ac or 30V dc
Output Relay Contact Rating	1A at 30V resistive, 0.5A inductive
Environmental	
Operating Temperature	-10°C to +60°C
Humidity (non condensing)	0 to 95% RH
Physical	
Construction	PC/ABS
Dimensions (H x W x D)	129mm x 180mm x 60mm
Weight	0.23kg
Ingress Protection	IP40
Compatibility	
Suitable for use with	Cooper Intelligent Addressable Fire Systems

Installation

1. 3 Channel input output unit is fixed to a deep double gang back box (supplied).
2. All connections are via heavy duty terminals.
3. Cable entry can be top, bottom, side or rear.
4. Can be surface or semi recessed mounted.
5. Relay contacts are rated at 30V dc 1A.

Standard Connections



NOTES:

1. Earth (Screen) cable must be connected to its adjacent earth terminal.
2. The end of line resistor must always be fitted, even if input is not used.
3. Input circuit is monitored for wiring open and short circuit.
4. Output relay is a set of changeover volt free-contacts and is not monitored.

Product Codes

Code	Description
CIO351	3 Channel I/O Unit (resets on reset)
CIO351S	3 Channel I/O Unit (resets on silence alarms)

Descriptions represent only particulars of the goods to which they apply and do not form part of any contract. The company reserves the right to change specification without prior notification or public announcement.

Cooper Lighting and Safety Ltd, Wheatley Hall Road, Doncaster, South Yorkshire, DN2 4NB. UK.

T: +44 (0) 1302 303350 | F: +44 (0) 1302 303332 | E: techsupport@cooperfire.com | W: www.cooperfire.com