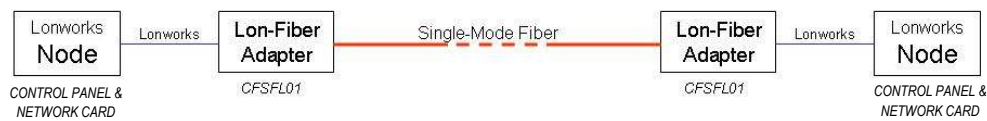


## CFSFL01 Single Channel LON-Fibre Optic Adaptor:

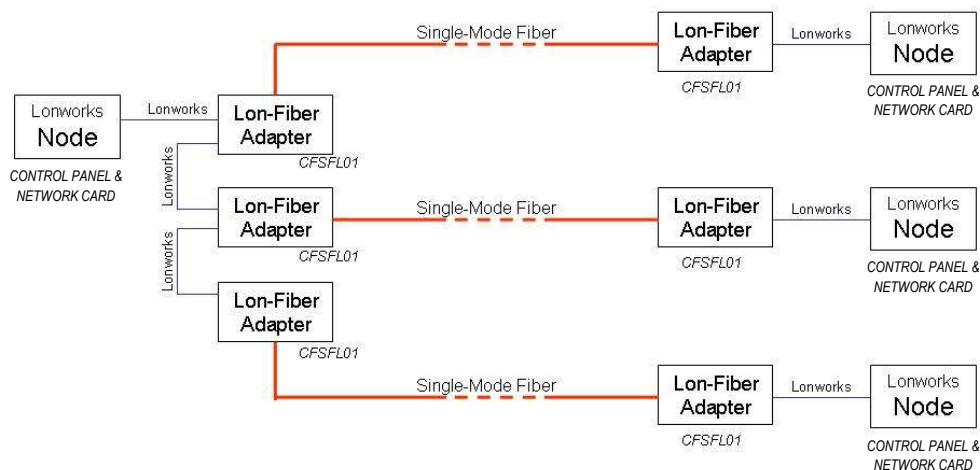


The CFSFL01 Single Channel LON-to-Fiber Optic Adapter allows connection of Cooper Fire system network (LONworks) devices through optical fiber, and to allow both Point-to-Point or Multi drop topology. Using only Single-Mode Fiber Optic, the CFSFL 01 adapter allows extension of the Cooper Fire system network to a maximum distance of 15KM with a transmission speed of up to 78Kbit/s or 1.25Mbit/s. Connection is made using SC type Fibre Optic connectors. In comparison with conventional twisted pair cable, the Fibre Optic usage in a LONworks network has many advantages: it is reliable and fast in long-distance network transmission even in difficult industrial environments (with transients, surges or electromagnetic interference etc.) without requiring any additional transient protection.

### Typical Application Schematics:

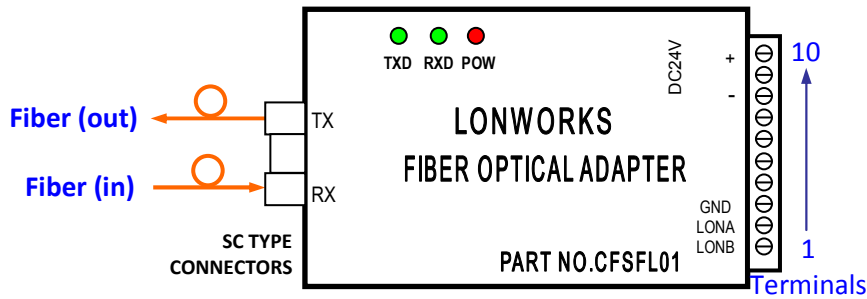


Fiber Optic Point to Point Link



Fiber Optic Star Topology Link

## Mechanical Layout Connections:



### Terminals:

10	+	24V DC
9	Unused	
8	-	0V
7	Unused	
6	Unused	
5	Unused	
4	Unused	
3	GND	Network Screen Connection
2	LONA	Net_A of Network card
1	LONB	Net_B of Network card

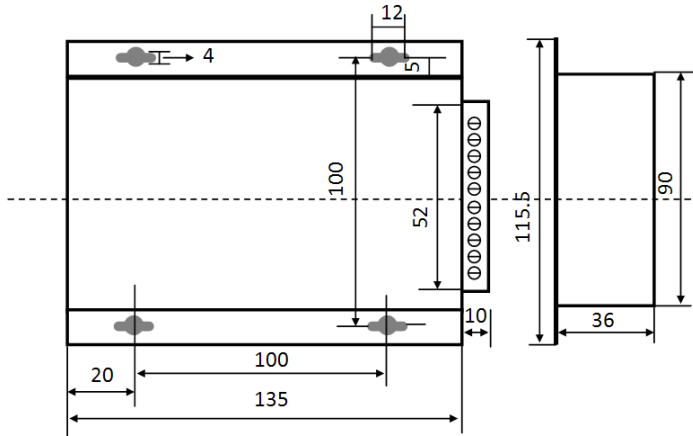
## LED Indication:

<b>POW</b>	Power on indication	'On' means power on
<b>TXD</b>	Fibre Port transmitting data	'flashing' means working
<b>RXD</b>	Fibre Port receiving data	'flashing' means working

## Connectors:

<b>TX</b>	Fiber Transmitting
<b>RX</b>	Fiber Receiving
<b>GND</b>	Network Screen
<b>LONA</b>	Net_A
<b>LONB</b>	Net_B

## Dimensions:



## Installation Instruction:

1. Ensure that the power supply is switched off during installation.
2. Take care when inserting the Fibre Optic connector to avoid damage. Note that the 'RX' connector in the local module's port should connect to the 'TX' connector in the far end module's port and vice versa.
3. LONA connects to Net\_A of the Lonworks Bus (network card), LONB connects Net\_B.

## Technical Data

<b>Communication Protocol:</b>	LONWORKS
<b>Lonworks Connectors:</b>	Screw Terminal Block
<b>Lonworks Rate:</b>	78 Kbps / 1.25 Mbps
<b>Bit Error Rate:</b>	10e-9
<b>Dimensions:</b>	L:135 mm x W:115.5 mm H:x 36 mm
<b>Operating Temp / Humidity:</b>	-30~+70°C / 20~90% RH
<b>Operating Voltage:</b>	24V DC

<b>Model No.:</b>	CFSFL01
<b>Wavelength:</b>	1310 nm
<b>Fibre Type:</b>	Single Mode Fibre
<b>Fibre Diameter:</b>	9/125 micron
<b>Fibre Connector:</b>	SC Type (optional ST Type)
<b>Link Distance:</b>	15 Km