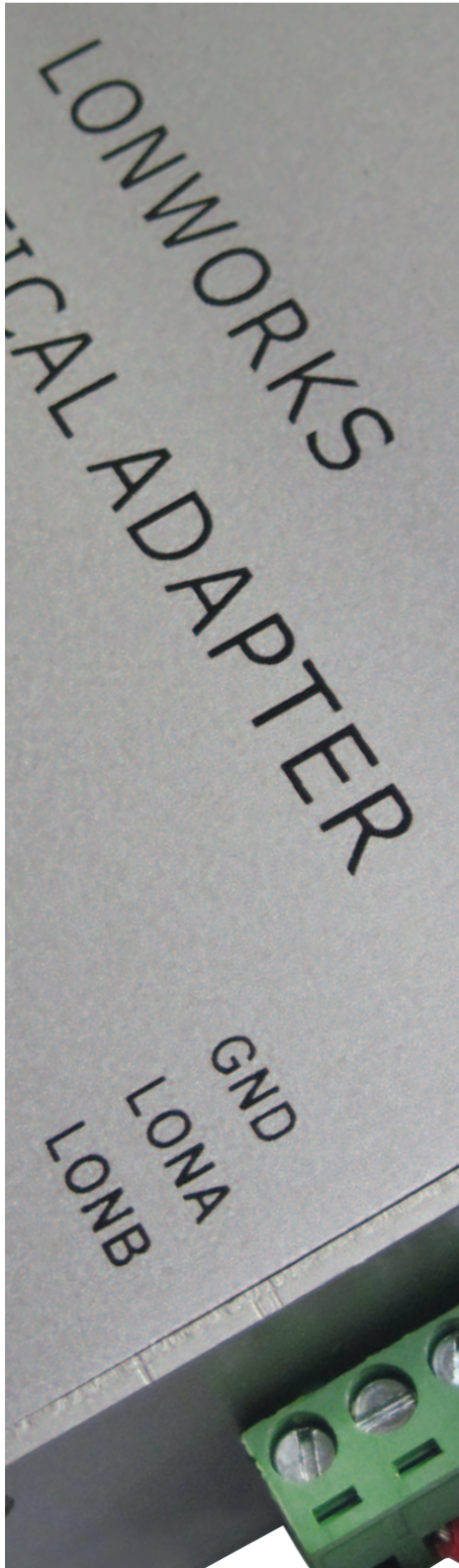


Single Mode Lon to Fibre Optic Adaptor



CFSFL01 - Single Mode Lon to Fibre Optic Adaptor

Overview

The single mode Lon to fiber optic adapter (CFSFL01) allows connection the of Cooper system network (LonWorks) devices through optical fiber, and to allow both point to point or multi drop topology.

Using only single mode fiber optic, the (CFSFL01) adapter allows extension of the Cooper system network LonWorks to a maximum distance of 15km with a transmission speed of up to 78Kbit/s or 1.25Mbit/s.

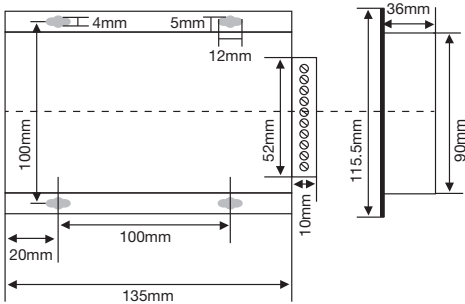
Connection is made using SC type fibre optic connectors. In comparison with conventional twisted pair cable, the fibre optic usage in a LonWorks network has many advantages; it is reliable and fast in long distance network transmission even in difficult industrial environments (with transients, surges or electromagnetic interference etc.) without requiring any additional transient protection.

Benefits

- Simple to install
- Easy to use
- Extends Cooper panel network
- Fast response

Single Mode Lon to Fibre Optic Adaptor - CFSFL01

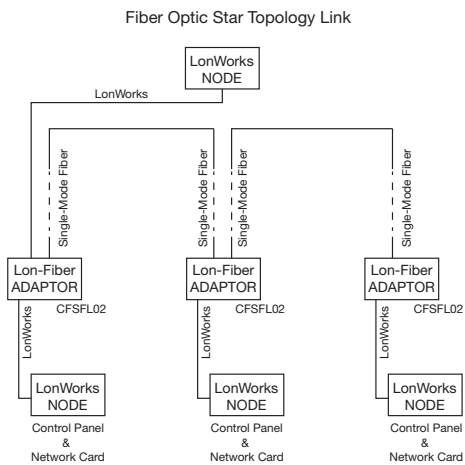
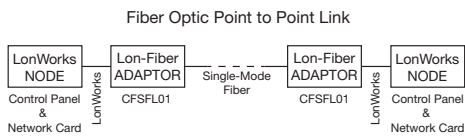
Dimensions



Technical Specification

Code	CFSFL01
Description	Single Mode Lon to Fibre Optic Adaptor
Specification	
Operating Voltage	24V dc
Communication Protocol	LonWorks
LonWorks Connectors	Screw terminal block
LonWorks Rate	78 Kbps / 1.25 Mbps
Bit Error Rate	10e-9
Wavelength	1310nm
Fiber Type	Single mode fiber
Fibre Diameter	9/125 micron
Fibre Connector	SC type (optional ST type)
Link Distance	15km
Environmental	
Operating Temperature	-30°C to +70°C
Humidity (Non Condensing)	20 to 90% RH
Physical	
Dimensions (H x W x D)	36mm x 116 mm x 135mm

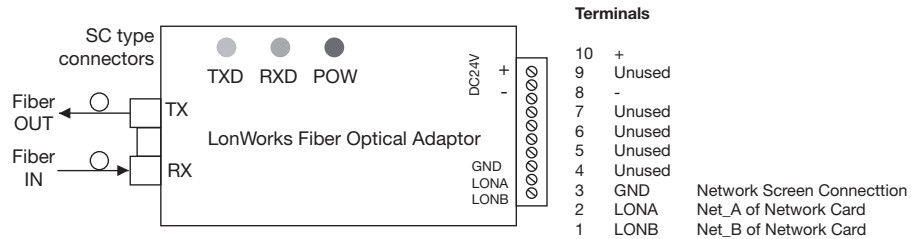
Typical System Architecture



Installation

1. Ensure that the power supply is switched off during installation.
2. Take care when inserting the fibre optic connector to avoid damage. Note that the "RX" connector in the local module's port should connect to the "TX" connector in the far end module's port and vice versa.
3. LonA connects to Net_A of the LonWorks Bus (network card), LonB connects Net_B.

Mechanical Layout and Connections



TX	Fiber Transmitting
RX	Fiber Receiving
GND	Network Screen
LonA	Net_A
LonB	Net_B

LED Indication

POW	Power On Indication	on	Power On
TXD	Fibre Port Transmitting Data	Flashing	Working
RXD	Fibre Port Receiving Data	Flashing	Working

Product Codes

Code	Description
CFSFL01	Single Mode Lon to Fibre Optic Adaptor

Descriptions represent only particulars of the goods to which they apply and do not form part of any contract. The company reserves the right to change specification without prior notification or public announcement.